

NOR-LAKE SCIENTIFIC BLOOD BANK REFRIGERATORS

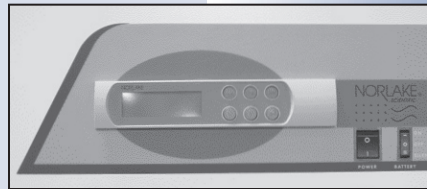
Designed to meet AABB, ANRC and FDA requirements. Special cabinet incorporates industrial quality with a heavy duty refrigeration system to maintain your valuable products.

Standard Product Features:

- Microprocessor controller with LCD control panel with message center
- Continuous product temperature display (upper and lower)
- 4 x 20 character LCD display
- Temperature chart recorder and chart paper
- Factory preset at +4°C
- Air probe with air temperature Hi/Lo alarms
- Hi/Lo product temperature alarms, audible & visual
- 2 levels of user password protection (set points and parameters)
- 100 event alarm logging including date/time stamp and product temperatures. Stored in non volatile flash memory
- Integrated Hi/Lo alarm tests
- Door ajar alarm with adjustable time delay
- Power failure alarm
- Remote alarm contacts
- Streamlined refrigeration design optimizes air flow and temperature uniformity
- Exterior front, sides and back as well as the interior is painted white
- 8 solid pull out stainless steel drawers per door
- Recessed interior light
- Four casters (2 locking) on one and two door models, six casters (3 locking) on three door model
- Full size glass doors with key lock
- Pull door handle(s)
- Complete cabinet is foamed-in-place with CFC Free high density polyurethane foam insulation
- Warranties: 18 month parts and labor, 5 year compressor (US and Canada) 18 months parts (International)
- UL and C-UL listed; CE Mark, California Energy Commission

Optional Features:

- Shelves
- RS485 computer interface
- Stainless steel exterior
- Stainless steel interior
- 4-20 ma output



NSBR241WWG/



NSBR241WWG/

NSBR331WWG/

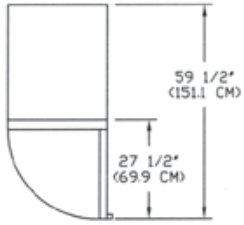
NSBR522WWG/

NSBR803WWG/

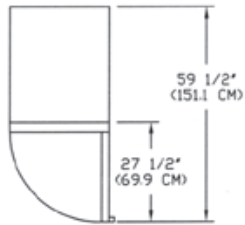


Nor-Lake, Inc.
Registered to ISO 9001:2000
File No. A3204

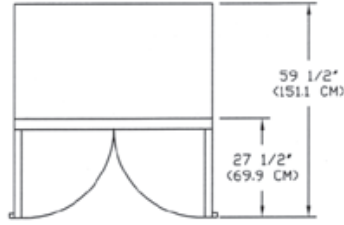
NOR-LAKE SCIENTIFIC
A Division of
NOR-LAKE, INCORPORATED
727 Second Street
P.O. Box 248
Hudson, Wisconsin 54016
800-477-5253
715-386-2323
800-388-5253 PARTS
715-386-4290 FAX
www.norlake.com



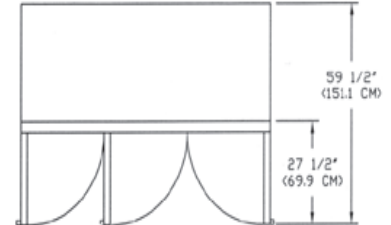
NSBR241WWG/



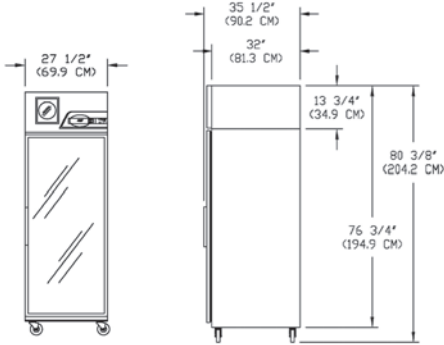
NSBR331WWG/



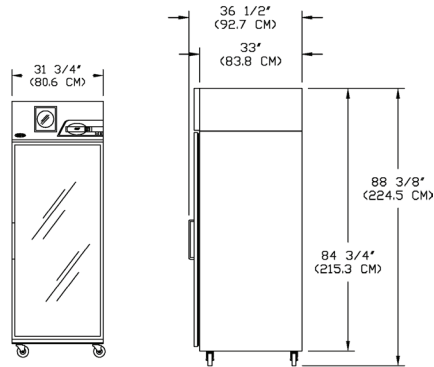
NSBR522WWG/



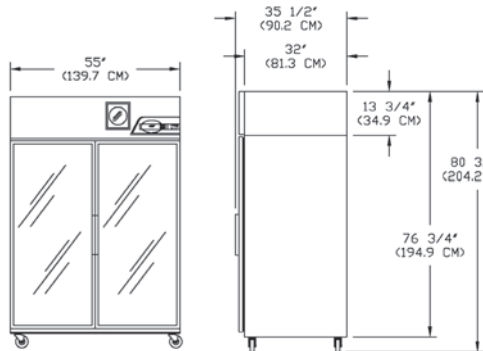
NSBR803WWG/



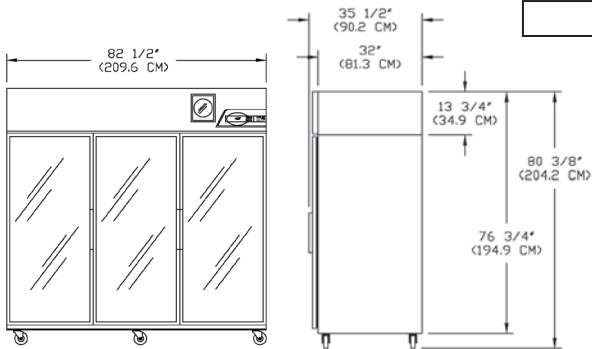
NSBR241WWG/



NSBR331WWG/



NSBR522WWG/



Front

Side

NSBR803WWG/

SPECIFICATIONS

Models	NSBR241WWG/0	NSBR331WWG/0	NSBR522WWG/0	NSBR803WWG/8
Models	NSBR241WWG/5	NSBR331WWG/0	NSBR522WWG/5	NSBR803WWG/5
Crated Height (in) (cm)	82" (208)	91-3/4" (233)	82" (208)	84" (213)
Crated Width (in) (cm)	31" (78.7)	35-1/4" (89.5)	59" (149.9)	86" (218.4)
Crated Depth (in) (cm)	38" (96.5)	39" (99.1)	38" (96.5)	38" (96.5)
Crated Weight (lbs.) (kg)	540 (245)	625 (283)	802 (372)	1307 (531)
Interior Height (in) (cm)	59" (149.9)	67" (170.2)	59" (149.9)	59" (149.9)
Interior Width (in) (cm)	23-1/2" (59.7)	27-3/4" (70.5)	51" (129.5)	78-1/2" (199.4)
Interior Depth (in) (cm)	30" (76.2)	31" (78.7)	30" (76.2)	30" (76.2)
Overall Height (in) (cm)	80-3/8" (204.2)	88-3/8" (224.5)	80-3/8" (204.2)	80-3/8" (204.2)
Overall Width (in) (cm)	27-1/2" (69.9)	31-3/4" (80.65)	55" (139.7)	82-1/2" (209.6)
Overall Depth (in) (cm)	35-1/2" (90.2)	36-1/2" (92.7)	35-1/2" (90.2)	35-1/2" (90.2)
Gross Cubage (ft. ³) (m ³)	24 (.68)	33 (.93)	52 (1.47)	80 (2.26)
450 ML Bag # Units*	416	600	832	1248
Number of Drawers	8	8	16	24
Number of Casters	4	4	4	6
Condensing Unit Size	1/3 HP	1/3 HP	1/2 HP	3/4 HP
Refrigerant	R134a	R134a	R134a	R134a
Maximum Fuse Size	15	15	15	15
Total Amp Draw	8.6	8.6	10.7	8.3
Total Amp Draw /5	3.2	3.2	4.2	8.1

Specifications subject to change without notice

* Capacity may vary according to loading preferences and contents

Voltage Model Suffix Code	Voltage Description	NEMA Plug	NEMA Receptacle
/0	115V, 1PH, 60HZ	5-15P	5-15R
/5	230V, 1PH, 50HZ	Power Inlet (IEC 60320) Module	Cord Supplied Locally
/8	115/208-230V/1PH 60HZ	L-14-20P	L-14-20R

NORLAKE SCIENTIFIC

Revision Date: 9/08
 ©2008 NOR-LAKE, INC.
 Printed in the U.S.A.
 Part Number: 090780

